



Features:

- 128 Lumens per Watt
- Revolutionary heat sink design for superior heat management
- Polycarbonate lens provides superior light distribution
- Adjustable beam angle
- Power Factor >0.9
- 0-10V Dimming available
- Modular design with removable driver
- 5 year Warranty
- Operation temperature -30°C to 50°C/ -22°F to 122°F
- 2 3/8" Slip fitter bracket available in some models. Consult factory

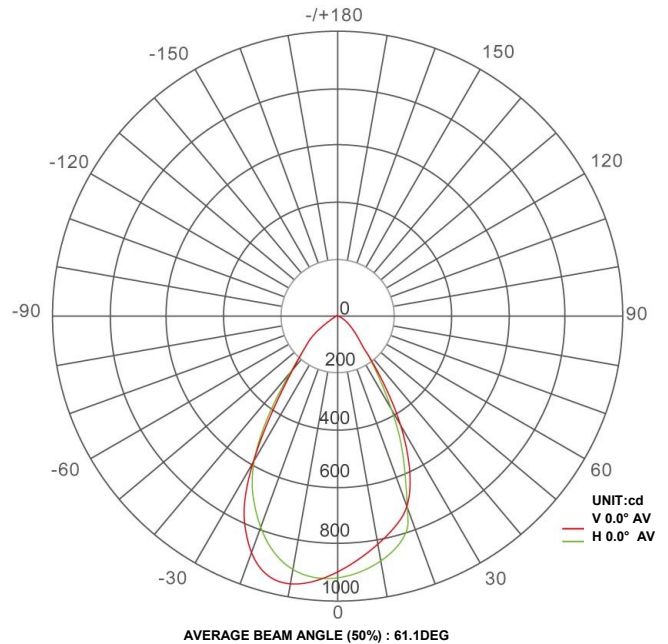
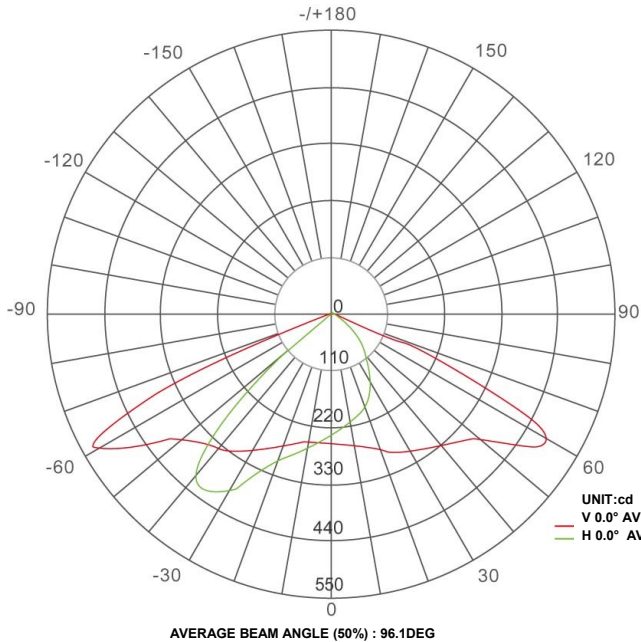
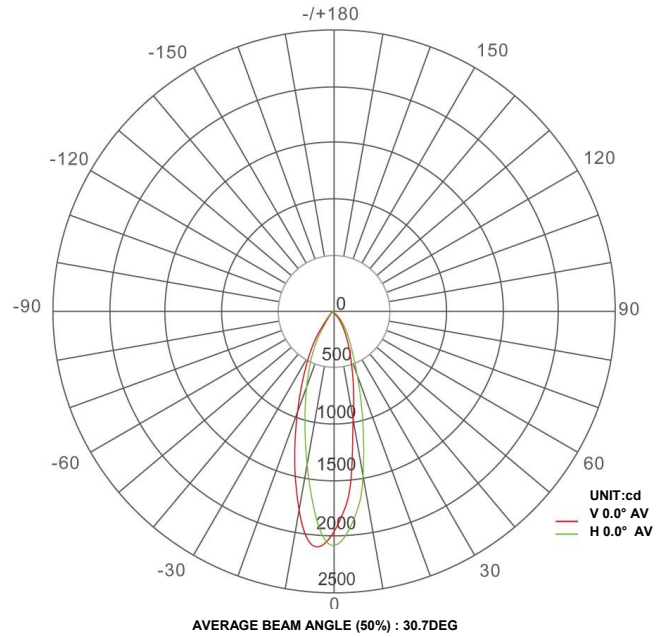
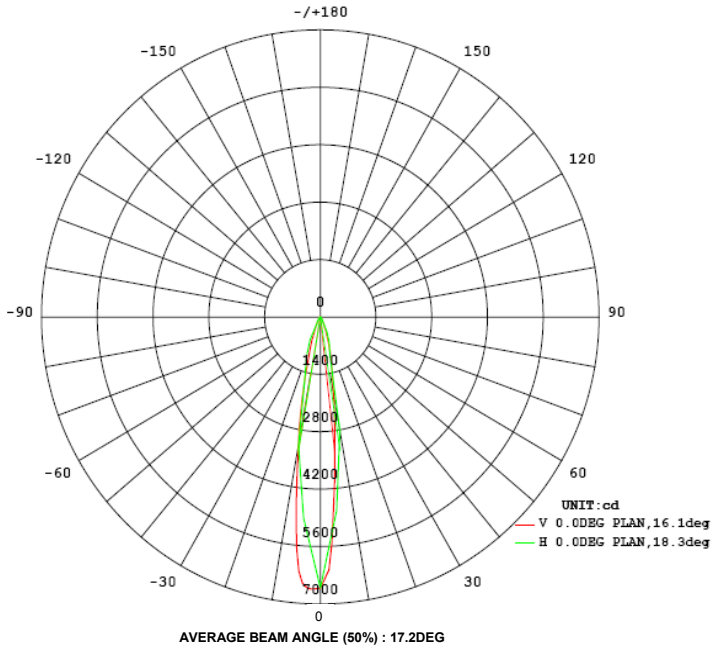
- Available in 3000K, 4000K, 5000K, and 5700K
- IP65 ingress protection-rated for wet locations
- 347-480V also available (UH)

Applications:

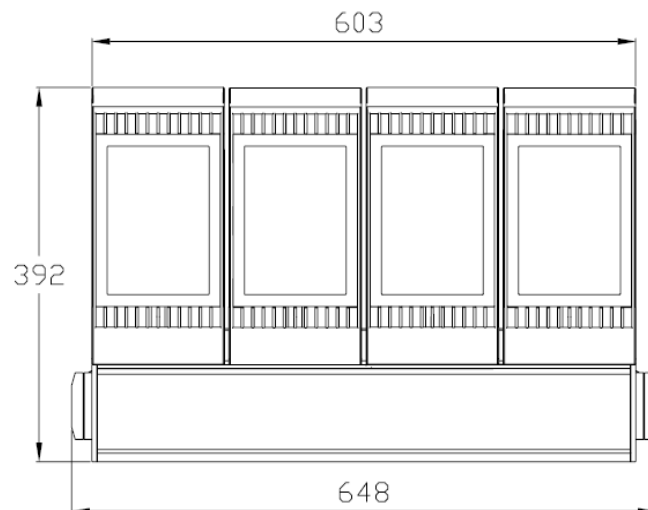
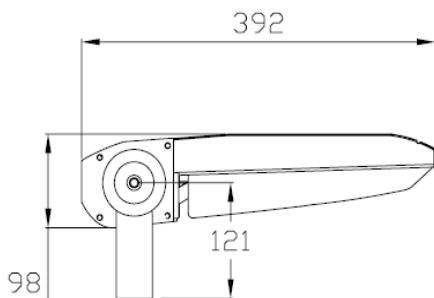
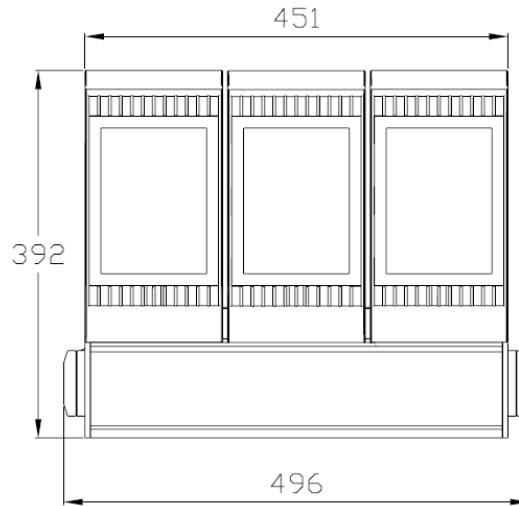
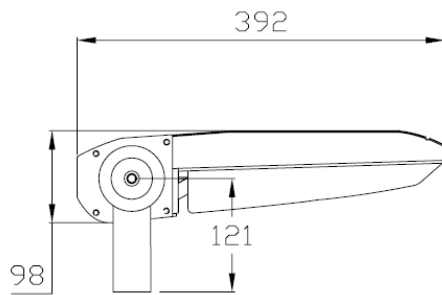
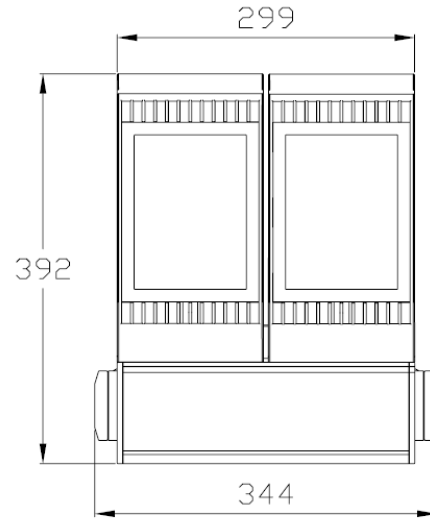
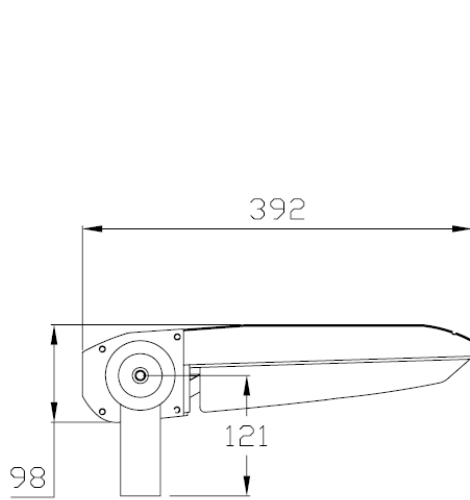
- Landscape Illumination
- Parking Lots
- Sports lighting
- Signage
- Natatoriums

Items Stocked in Illinois Warehouse

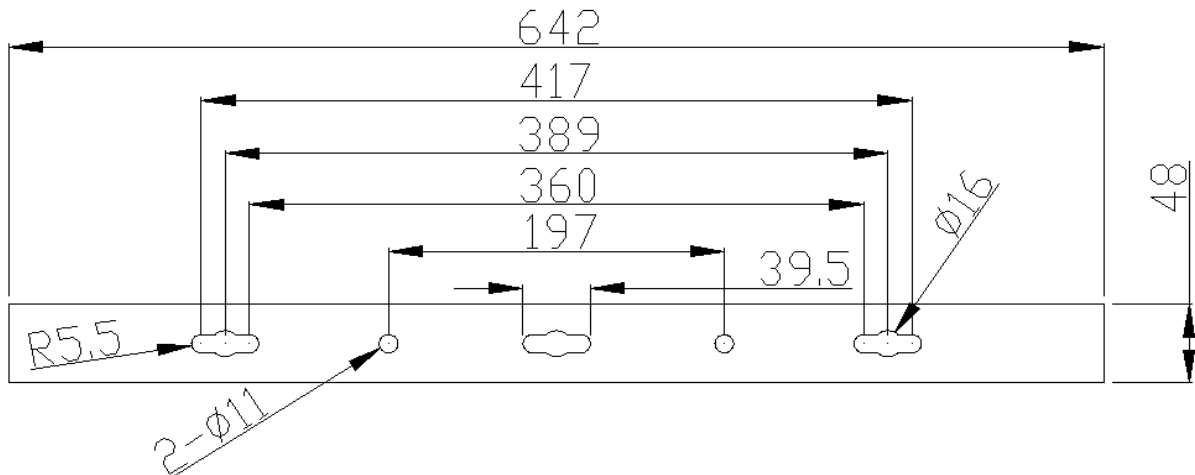
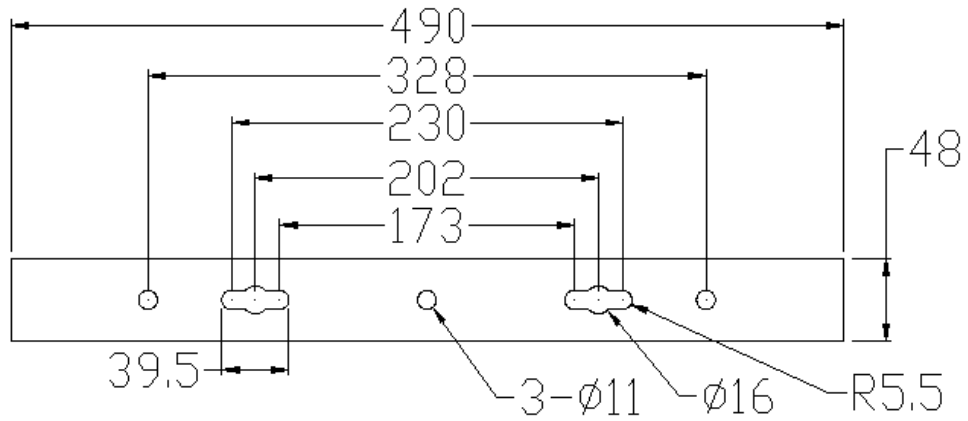
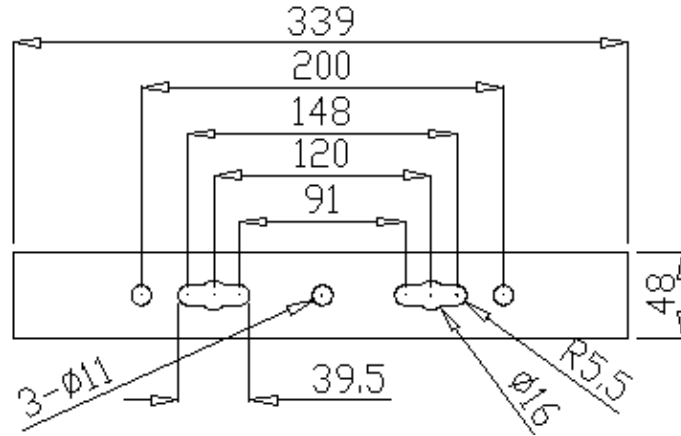
Model Number	Lumen	CRI	Voltage	Color Temp (K)	Watts	Lumens per Watt	IES File
FL-3L-50K-A3-UL-SL	3124	>70	120-277V	5000	32	99	↓
FL-5L-50K-A3-UL-SL	4926	>70	120-277V	5000	50	99	↓
FL-8L-50K-A3-UL-SL	7834	>70	120-277V	5000	80	98	↓
FL-10L-50K-A3-UL-SL	9954	>70	120-277V	5000	100	100	↓
FLA-15L-50K-A3-UL-SL	15712	>70	120-277V	5000	127	127	↓
FLA-20L-50K-A3-UL-SL	28841	>70	120-277V	5000	225	128	↓
FL-29L-50K-A3-UL-SL	28666	>70	120-277V	5000	282	102	
FL-40L-50K-A3-UL-SL	40630	>70	120-277V	5000	405	100	
FL-60L-50K-A3-UL-SL	59145	>70	120-277V	5000	614	96	



INSTALLATION INSTRUCTIONS



INSTALLATION INSTRUCTIONS CONTINUED

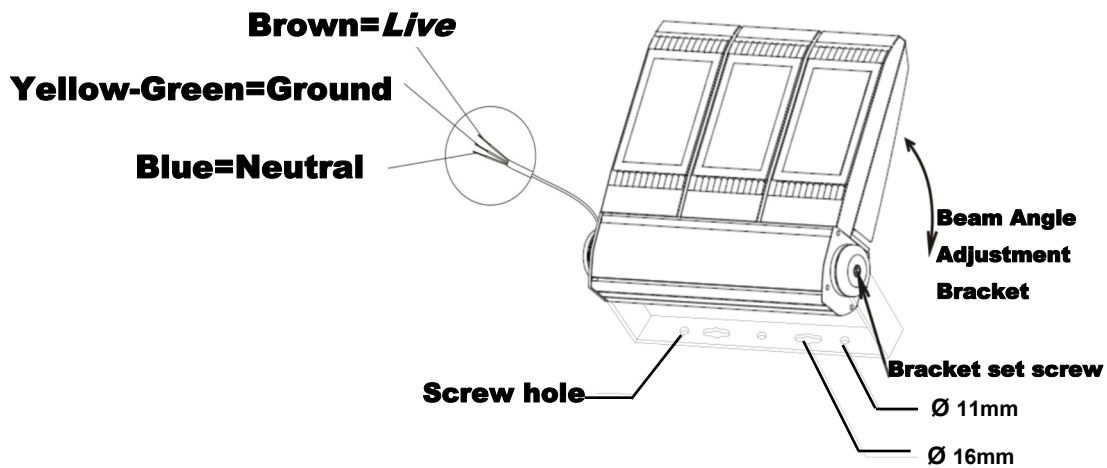
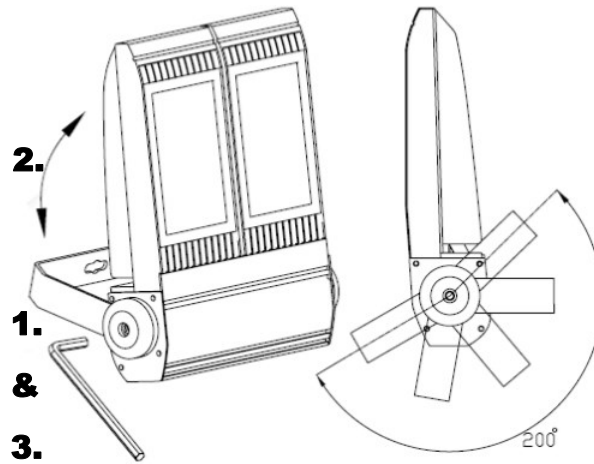


INSTALLATION INSTRUCTIONS CONTINUED

1. Loosen m10 screw using 8mm Allen Wrench

2. Adjust bracket to desired angle

3. Tighten screw



- Improper installation may void warranty. Follow all installation instructions
- 5-Year warranty from date of purchase
- To prevent electrical shock, cut off power before installation
- Avoid exposure to corrosive gases
- Ensure installation site can support weight of luminaire
- Do not cover luminaire
- For safe operation luminaire must be properly grounded